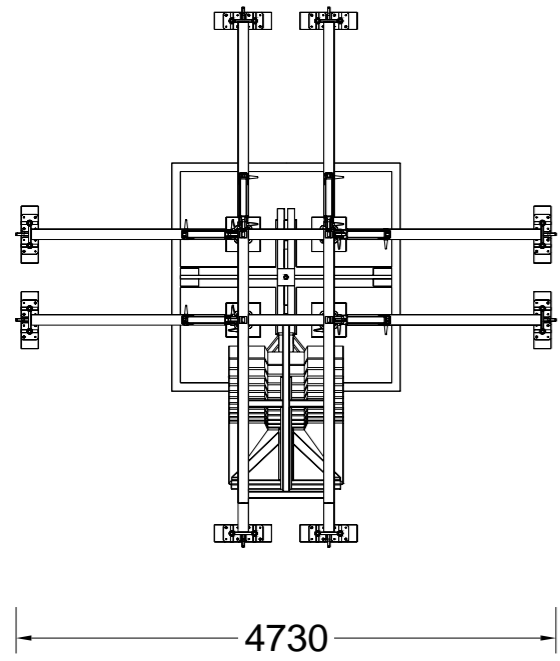
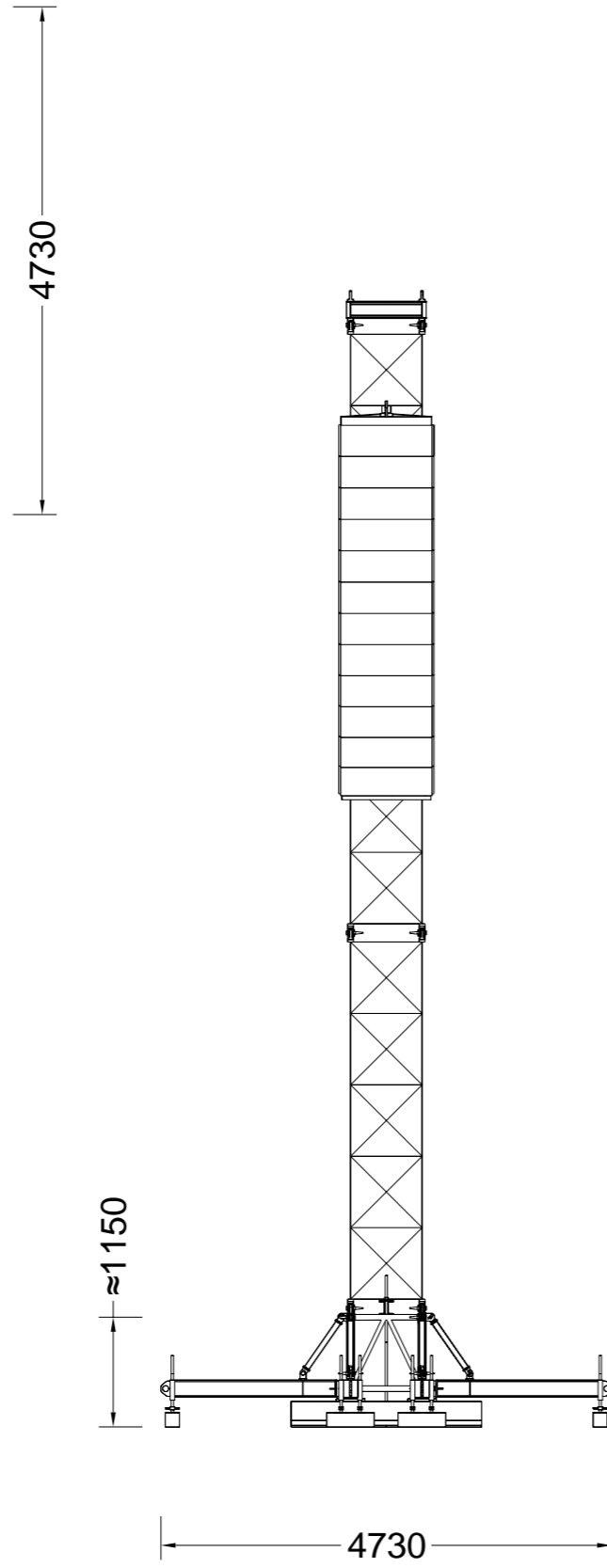


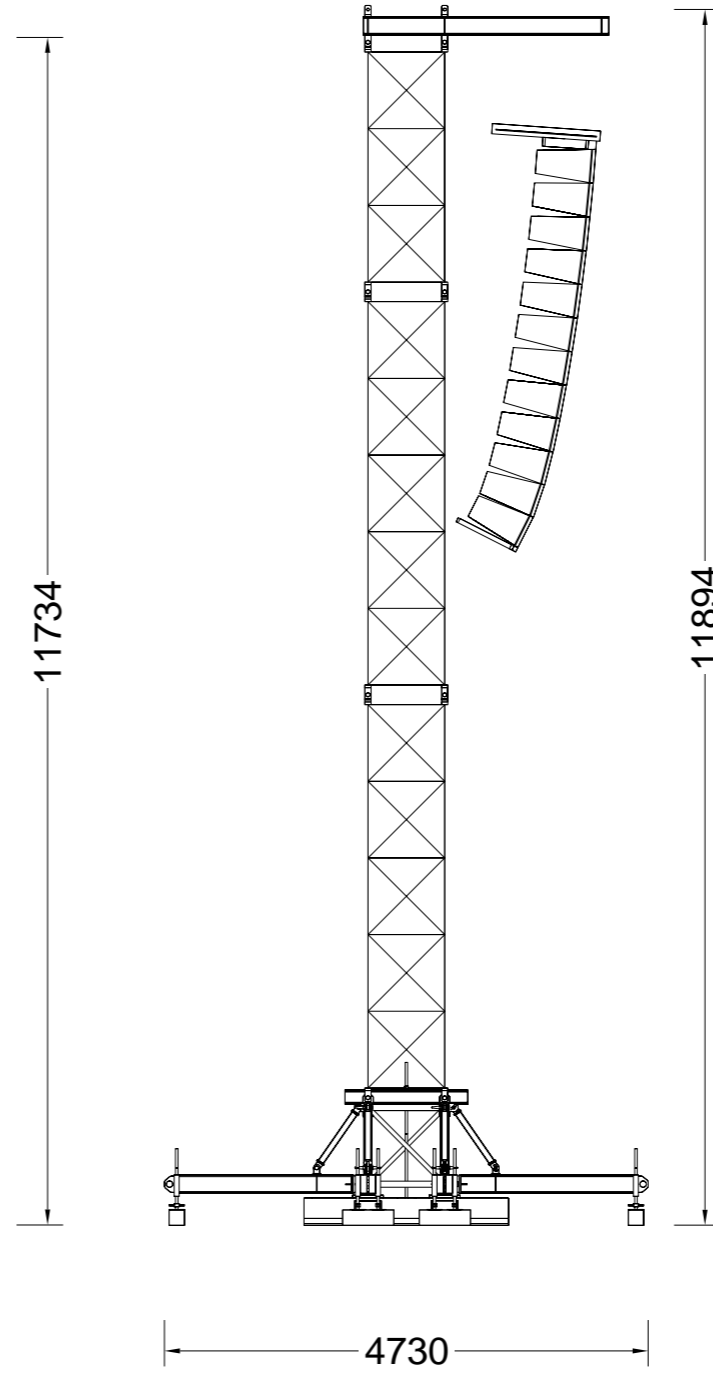
Top-view



Front-view



Side-view



3D-view

